

**Series 6, built-under dishwasher, 60 cm, Black inox SMP6HCB01A**



**Dishwasher with user-friendly control and unique design which allows it to be installed flush under a worktop.**

- **ExtraDry:** option for additional drying.
- **Max Flex baskets:** flexible and stable loading for your dishes, with superior sliding performance.
- **Rackmatic:** top basket adjustable on three levels offers additional space, especially for tall dishes.
- **Silence Plus:** the pleasingly quiet 44 dB dishwasher.
- **Home Connect:** home appliances with smart connectivity for an easier everyday life.

---

Maximum number of place settings: .....	15
Water consumption in litres per cycle of the eco programme: ...	11.1 l
Built-in / Free-standing: .....	Built-in
Height of removable worktop: .....	0 mm
Dimensions of the product (HxWxD): .....	815 x 598 x 573 mm
Min. required niche size for installation (HxWxD): ....	815-875 x 600 x 550 mm
Depth with open door 90 degree: .....	1150 mm
Adjustable feet: .....	Yes - all from front
Maximum adjustability feet: .....	60 mm
Adjustable plinth: .....	Adjustable plinth
Net weight: .....	41.1 kg
Gross weight: .....	43.0 kg
Connection rating: .....	2400 W
Fuse protection: .....	10 A
Voltage: .....	220-240 V
Frequency: .....	50; 60 Hz
Length electrical supply cord: .....	175.0 cm
Plug type: .....	AU plug
Length inlet hose: .....	165 cm
Length outlet hose: .....	190 cm
EAN code: .....	4242005330768
Installation typology: .....	Built-under

---

SGZ0BI01	decorative strips stainless steel 81,5cm
SGZ1010	inlet and outlet hose extention
SMZ2014	Rack insert for stemware dishwasher
SMZ5000	Dishwashing aid set
SMZ5002	Silver polishing cassette
SMZ5150AU	Kick panel stainless steel
SMZ5300	GlassSecure Tray



## Series 6, built-under dishwasher, 60 cm, Black inox SMP6HCB01A

### Dishwasher with user-friendly control and unique design which allows it to be installed flush under a worktop.

#### Capacity

- Capacity: 15 place settings

#### Consumption rates

- 4 stars Star energy rating, 5,5 stars Star WELS water rating. AU WELS Registration Number: D02778.
- Water consumption of 11.1 litres per wash using Eco AU in accordance with AS/NZS 6400 and Energy consumption of 245 kWh per year using the Eco AU program seven times per week. Consumption is based on cold water connection and is tested in accordance with AS/NZS 2007.2

#### Design

- Stainless steel interior tub
- SoftTouch buttons: Electronic soft-touch activated buttons
- Hidden control buttons integrated into the top of the door

#### Wash Programs and Options

- 7 programmes:
- Eco Wash : Energy efficient wash & dry. Mixed loads & soil levels 45 °C,
- Auto Wash: automatic wash & dry for Mixed loads & soil levels 45-65 °C,
- Auto Gentle : Automatic wash and dry program for delicate and lightly soiled dishes 35-45 °C,
- Pots & Pans: for heavily soiled dishes 70 °C,
- Quick 1h: quick wash & dry for mixed loads & soil levels 65 °C,
- ExtraQuiet: extended quiet wash & dry program for mixed loads & soil levels 50 °C,
- Favourite: set or download your favourite combination 7
- 5 special options:
- Remote Start: allows remote control and monitoring via HomeConnect,
- Extra Dry: Provides an even better drying result by extending the drying time,
- Intensive Zone: Intensive wash for items in the bottom basket,
- HygienePlus: Reduces bacteria from utensils & crockery,
- Speedperfect: reduce wash time even after cycle has started
- Machine care program: maintains your dishwasher's optimum performance and hygiene Option
- Extra quiet programme with lower dB(A)

#### Performance

- DosageAssist™: Maximises the effectiveness of detergent tablets. The tablet is dropped into a specially engineered tray and is completely dissolved. For superior cleaning performance and a quieter wash.
- EcoSilence Drive® quiet and energy-efficient brushless motor (BLDC)
- BLDC Main Pump: Variable water & spray pressure to achieve optimum cleaning results BLDC Drain Pump: Fast and extra quiet draining of water, no gurgling sounds

- Extra Clean Zone: Provides an even better cleaning result for items placed directly over the three rotating nozzles in the top basket
- AutoBrilliance™: Automatic detergent and rinse aid sensor
- AquaSensor™ technology: Regulates the water usage depending on the type and degree of soiling
- hydroDry heat exchanger assists with condensation to help dry dishes
- 3 stage self-cleaning filter system: design that helps reduce the need to wash the filter and prevents blockages
- 5 Spray levels for maximum water contact and optimum wash results
- Very quiet operation - 44 dB

#### Flexibility

- VarioDrawer™: Provides an extra loading level for cutlery and utensils
- RackmaticPlus™: 3-stage top basket can be adjusted to three height levels to maximise convenience
- Low friction wheels on bottom basket
- Rack Stopper to prevent derailing of bottom basket
- 2 foldable racks in top basket
- 6 foldable plate racks in bottom basket
- 2 foldable cup shelves with soft silicone edges in top basket
- Basket system with red coloured touchpoints provides total flexibility for all loading requirements
- Ball bearing on top basket for an easy glide
- Anti-slip protection strips in upper rack
- Moveable cutlery basket in lower basket

#### Convenience

- HomeConnect via WiFi Connectivity
- Time delay start: Delay program start time by 1-24 hours to suit your schedule
- Large item spray head: For washing extra large items such as baking trays, Vapour barrier protection plate
- Audible program end

#### Safety

- AquaStop™ Plus: Water supply device with lifetime anti-flood protection
- Child door lock

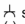
#### Product Dimensions (H x W x D)

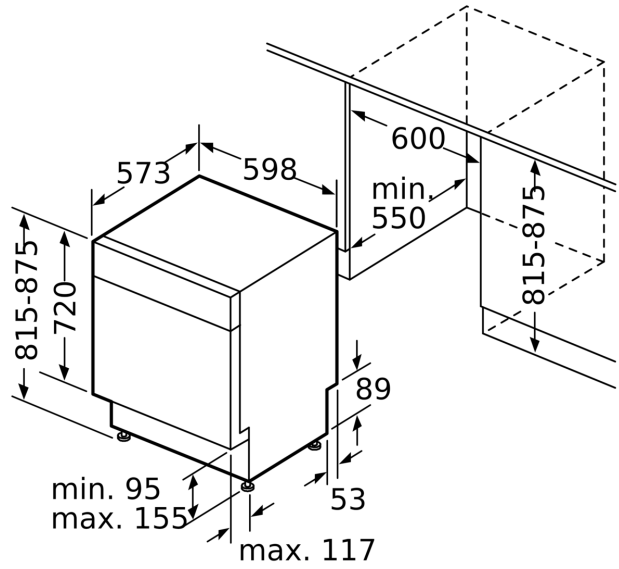
- H: 815 mm x W: 598 mm x D: 573 mm

**Series 6, built-under dishwasher, 60  
cm, Black inox  
SMP6HCB01A**

measurements in mm



 socket  
( ) values with extension kit



measurements in m