

Series 8, Wall-mounted canopy rangehood, 90 cm, Stainless steel DWB91PR50A



The wall-mounted rangehood: a functional design element in the kitchen.

- **PerfectAir sensor:** automatic extractor control for high performance with low noise.
- **Silent:** maximum extractor performance with little noise
- **LED lighting:** for perfect, energy-efficient illumination of the cooktop.
- **Intensive speed setting with reset:** automatically resets the rangehood to normal speed setting
- **EcoSilence Drive™:** the powerful, energy-saving drive for hoods.

DHZ1223	Chimney extension 1000 mm
DHZ1233	Chimney extension 1500 mm
DHZ5345	Standard recirculation kit
DHZ5346	Standard odor filter (replacement)
DWZ0XX0J5	Long Life recirculation kit
DWZ1CX1I6	Clean Air Plus recirculation kit
DWZ2CB1I4	Clean Air Standard recirculation kit
DWZ2CX5C6	Clean Air Plus recirc. kit external
DWZ2FX5D1	Long Life recirculation kit external
DZZ0XX0P0	Long Life odor filter (replacement)
DZZ1XX1B6	Clean Air Plus odor filter (replacement)
DZZ2CB1B4	Clean Air Standard odor filter (repl.)

Typology:Wall-mounted
Length electrical supply cord: 130.0 cm
Height of the chimney: 582-908/568-1018 mm
Height of product, without chimney: 46 mm
Minimum distance above an electric cooktop: 600 mm
Minimum distance above a gas cooktop: 650 mm
Net weight: 19.3 kg
Type of control:Electronic
Number of power settings: 3-stages + 2 intensive settings
Max. air extraction: 602 m ³ /h
Boost position output recirculating: 561 m ³ /h
Max. air recirculation: 462 m ³ /h
Boost position air extraction: 965 m ³ /h
Number of lights: 3
Noise level: 64 dB(A) re 1 pW
Diameter of air outlet: 120 / 150 mm
Grease filter material: Washable stainless steel
EAN code: 4242005107742
Connection rating: 265 W
Fuse protection: 10 A
Voltage: 220-240 V
Frequency: 50; 60 Hz
Plug type: AU plug
Installation typology:Wall-mounted



Series 8, Wall-mounted canopy rangehood, 90 cm, Stainless steel DWB91PR50A

The wall-mounted rangehood: a functional design element in the kitchen.

Design & Innovation

- Box design
- Appliance colour: Stainless steel
- Electronic controls via TouchControl with lightline
- PerfectAir sensor
- Cooktop-based hood control (with matching cooktop)

Power and Mode of Operation

- Accessory required for recirculation mode: Standard recirculation kit
- 3 power levels + 2 intensive levels
- Extraction rate according to EN 61591 \varnothing 15 cm: max. Normal use 602 m³/h. Intensive 965 m³/h
- Extraction rate in recirculation mode: Max. normal use: 471 m³/h. Intensive: 595 m³/h
- Suitable for ducted or re-circulated extraction
- EcoSilence BLDC brushless motor
- Noise min./max. Normal Level: 45/64 dB
- Noise level in recirculation mode:
 - Max. normal use: 72 dB(A) re 1 pW (60 dB(A) re 20 μ Pa sound pressure)

Comfort & Convenience

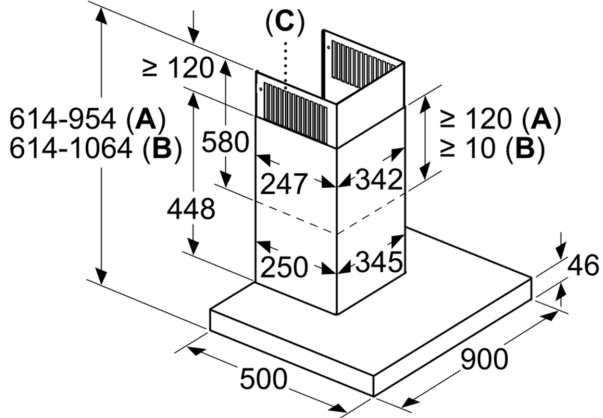
- Dishwasher safe metal grease filters
- Saturation display for filters
- Stainless steel filter covers, dishwasher safe
- with one-way flap: prevents outside air from entering your kitchen
- Intensive operation automatic revert - 6min
- Automatic run on - 10 min
- Additional sound insulation mats for optimised sound absorption
- 3 x 1.5 Watt LED Lights
- SoftLight with dimming function

Technical Information

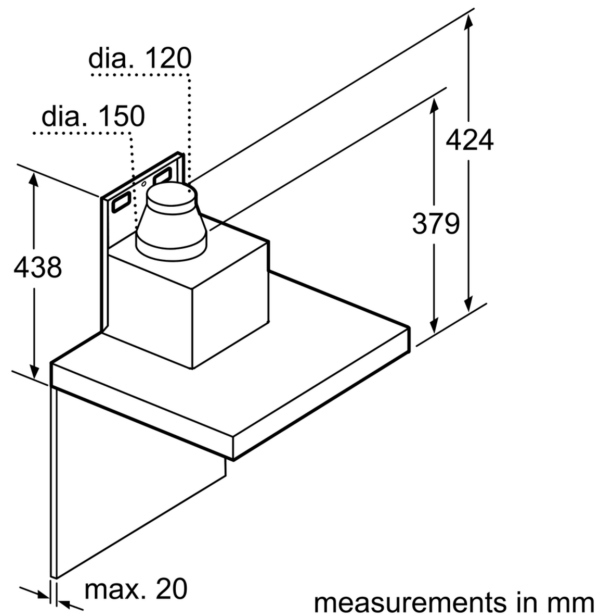
- Appliance width: 898 mm
- Dimensions exhaust air (HxWxD): 614-954 x 898 x 500 mm
- Dimensions recirculating (HxWxD): 614-1064 x 898 x 500 mm
- Diameter pipe \varnothing 150 mm (\varnothing 120 mm enclosed)
- Electrical cable length 1.3 m

**Series 8, Wall-mounted canopy
rangehood, 90 cm, Stainless steel
DWB91PR50A**

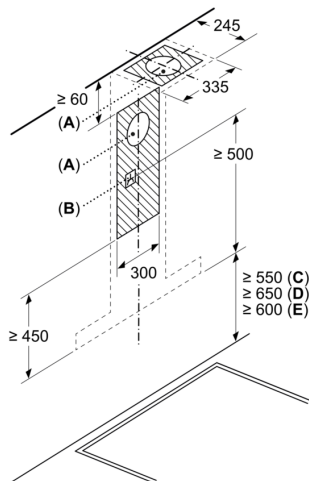
measurements in mm



- A: Air extraction
- B: Air recirculation
- C: Air outlet – slots for exhaust air to be mounted facing down

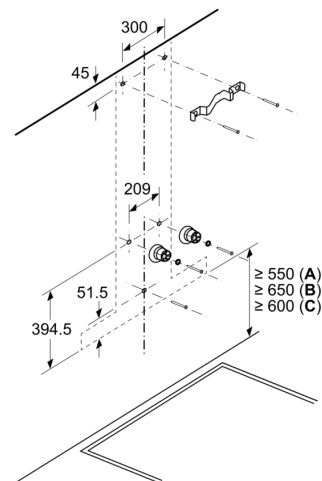


Measurements in mm



- A: Exhaust air outlet
- B: Socket
- C: Electric
- D: Gas - from upper edge of pan support
- E: Electric - for Australia and New Zealand

Measurements in mm



- A: Electric
- B: Gas - from upper edge of pan support
- C: Electric - for Australia and New Zealand