

Series 2, Wall-mounted canopy rangehood, 90 cm, Stainless steel DWP96BC50A



DHZ1224	Chimney extension 500 mm
DHZ1234	Chimney extension 750 mm
DHZ5275	Standard recirculation kit
DHZ5276	Standard odor filter (replacement)
DHZ9550	Brushed steel back panel
DHZ9551	Brushed steel back panel

Canopy hood: perfect performance matching your kitchen.

- **LED lighting:** for perfect, energy-efficient illumination of the cooktop.
- **With exhaust, the air is cleaned by a grease filter and then ducted to the outside which ensures optimal kitchen air quality.**
- **Dishwasher-safe metal grease filters for easy cleaning.**
- **3-Speed Power Level Options To Suit Your Cooking Style And Recipes**

Typology:	Wall-mounted
Length electrical supply cord:	130.0 cm
Height of the chimney:	553-730/573-730 mm
Height of product, without chimney:	246 mm
Minimum distance above an electric cooktop:	600 mm
Minimum distance above a gas cooktop:	650 mm
Net weight:	10.1 kg
Type of control:	mechanical
Number of power settings:	3
Max. air extraction:	626 m ³ /h
Max. air recirculation:	409 m ³ /h
Number of lights:	2
Noise level:	69 dB(A) re 1 pW
Diameter of air outlet:	150 / 120 mm
Grease filter material:	Washable aluminium
EAN code:	4242005100651
Connection rating:	220 W
Fuse protection:	10 A
Voltage:	220-240 V
Frequency:	50; 60 Hz
Plug type:	AU plug
Installation typology:	Wall-mounted



Series 2, Wall-mounted canopy rangehood, 90 cm, Stainless steel DWP96BC50A

Canopy hood: perfect performance matching your kitchen.

Design & Innovation

- Pyramid design
- Appliance colour: Stainless steel

Power and Mode of Operation

- Accessory required for recirculation mode: Standard recirculation kit
- 3 power settings via Push button
- Push button for power and light
- Extraction rate exhaust air according to EN 61591: max. 626 m³/h
- Extraction rate in recirculation mode:
 - Max. normal use: 409 m³/h
- Suitable for ducted or re-circulated extraction
- Twin channel high performance fan motor
- Noise min./max. Normal Level: 51/69 dB
- Noise level in recirculation mode:
 - Max. normal use: 75 dB(A) re 1 pW (62 dB(A) re 20 µPa sound pressure)

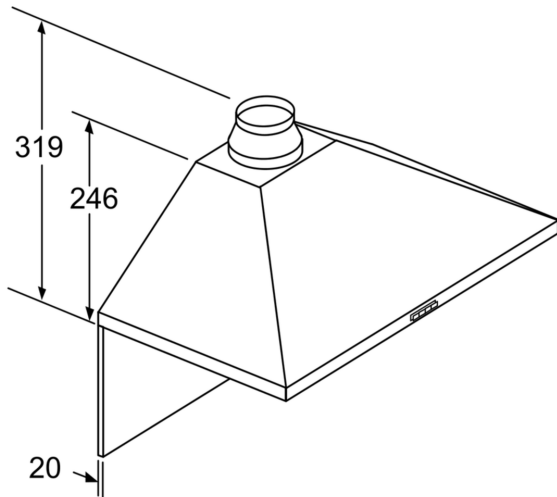
Comfort & Convenience

- Dishwasher safe metal grease filters
- 2 x 1.5W LED
- with one-way flap: prevents outside air from entering your kitchen

Technical Information

- Appliance width: 900 mm
- Dimensions exhaust air (HxWxD): 799-975 x 900 x 500 mm
- Dimensions recirculating (HxWxD): 799-975 x 900 x 500 mm
- Diameter pipe Ø 150 mm (Ø 120 mm enclosed)
- Electrical cable length 1.3 m

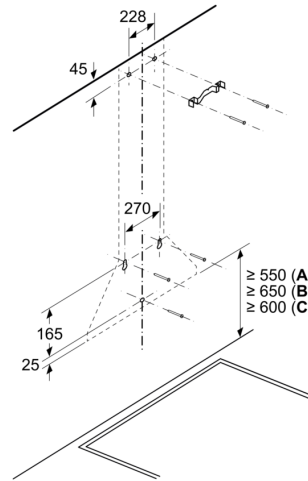
**Series 2, Wall-mounted canopy
rangehood, 90 cm, Stainless steel
DWP96BC50A**



If a back panel is used,
the design of the appliance
must be considered.

measurements in mm

Measurements in mm

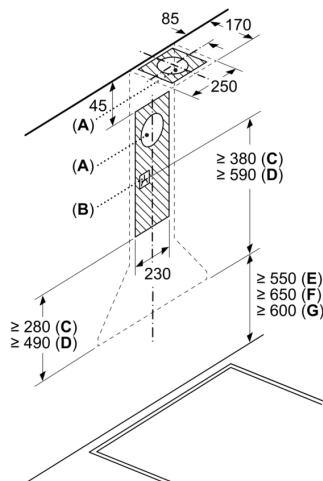


A: Electric

B: Gas - from upper edge of pan support

C: Electric - for Australia and New Zealand

Measurements in mm



A: Exhaust-air outlet

B: Socket

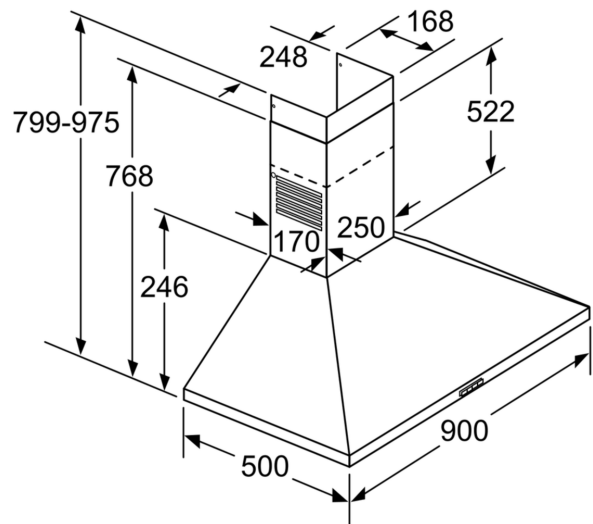
C: Exhaust air

D: Circulated air

E: Electric

F: Gas - from upper edge of pan support

G: Electric - for Australia and New Zealand



measurements in mm