

Series 6, built-in fridge, 177.5 x 56 cm, soft close flat hinge KIR81AD30A



- **LED light:** illuminates the refrigerator evenly without glare.
- **EasyAccess Shelf:** pull-out glass shelf gives you better access to the ingredients inside your fridge.
- **VitaFresh:** vitamin rich fruit & vegetables stay fresh for longer in a climate controlled drawer.
- **FreshSense - Internal sensors monitor the internal and external temperatures and adjust to provide prolonged freshness.**

Annual energy consumption AU: 199 kWh
 Built-in / Free-standing: Built-in
 Door panel options: Not possible
 Height: 1772 mm
 Width of the appliance: 558 mm
 Depth of the product: 550 mm
 Min. required niche size for installation (HxWxD): 1775.0 x 560 x 550 mm
 Net weight: 63.1 kg
 Connection rating: 90 W
 Fuse protection: 10 A
 Door hinge: Right reversible
 Voltage: 220-240 V
 Frequency: 50 Hz
 Length electrical supply cord: 230.0 cm
 Number of compressors: 1
 Number of independent cooling systems: 1
 Interior ventilator: Yes
 Reversible Door Hinge: Yes
 Number of Adjustable Shelves in fridge compartment: 6
 Shelves for Bottles: Yes
 EAN code: 4242005211029
 Brand: Bosch
 Product name / Commercial code: KIR81AD30A
 Product category: Refrigerator
 Frost free system: No
 Installation typology: Integrated
 Annual energy consumption AU: 199 kWh
 Included accessories: 2 x egg tray

2 x egg tray



- KS10Z020 Bottle Rack
- KSZ10020 Bottle Rack
- KSZB0S00 Heavy-duty hinge support
- KSZGGM00 Butter box

Series 6, built-in fridge, 177.5 x 56 cm, soft close flat hinge KIR81AD30A

Performance & Consumption

- 3 Star Energy Rating, 199 kWh energy consumption per year
- Noise level: 37 dB(A)
- Net capacity: 319 litres
- Climate Class: SN-T

Design

- LED interior light lighting

Convenience & Safety

- 7 segment electronic control
- Constant temperature by intelligent sensor technology
- Automatic defrost in fridge section
- SuperCooling Function - Automatically brings down the temperature of the refrigerator to cool new groceries rapidly
- Acoustic door open alarm

Shelving & Compartments

- 7 safety glass shelves (6 height adjustable)
- Bottle storage: Metal wine rack
- 6 door bins, 1x dairy compartment

Finish

- 1 VitaFresh plus drawer on telescopic rails with humidity control - Fruits and vegetables fresher for longer
- Vegetable container on telescopic rails

Dimensions

- Dimensions (H x W x D): 1772 mm x 558 mm x 545 mm
- Cut-out Dimension (H x W x D): 1775 mm x 560 mm x 550 mm

Technical Information

- Reversible door hinge
- Voltage 220 - 240 V

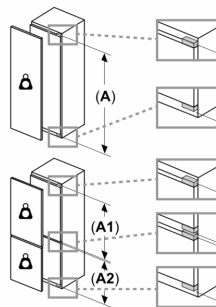
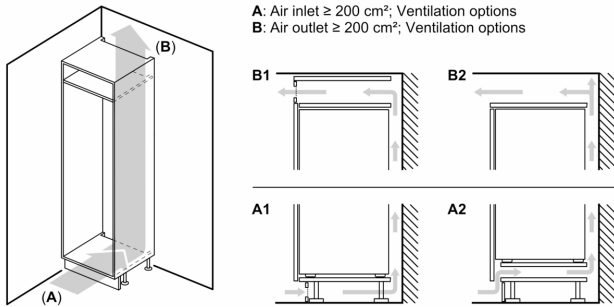
Accessories

- egg tray
- bottle holder

Comfort

- Multi-airflow system - Minimises fluctuating temperatures by ensuring optimal and uniform air circulation in the fridge
- Gross Capacity: 321 litres
- Fridge gross capacity: 321 litres

**Series 6, built-in fridge, 177.5 x 56 cm, soft close flat hinge
KIR81AD30A**



Maximal permissible weight of the unit fronts

Fitted unit fronts that exceed the permissible weight may cause damage and result in functional impairment of the hinges

Δ : Weight

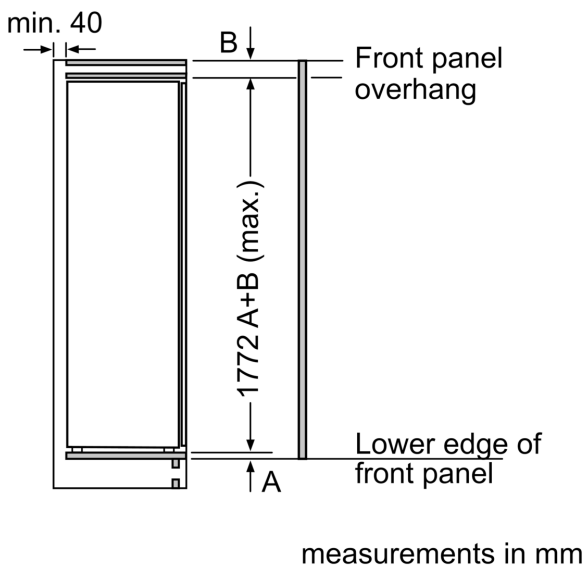
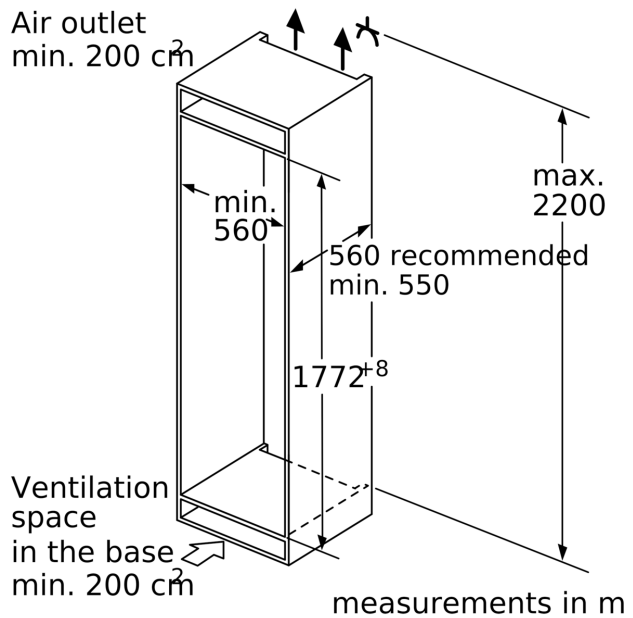
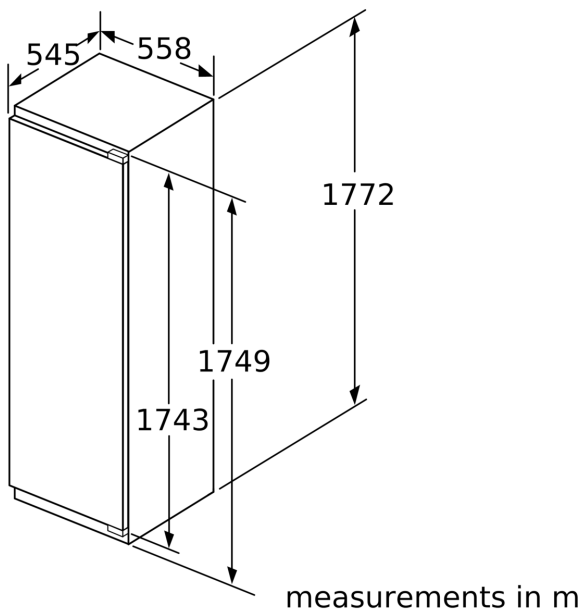
A: Appliance door height including hinges in mm

B: Undamped hinge, unit front in kg

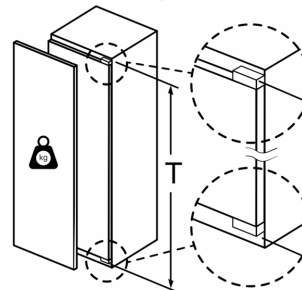
C: Damped hinge, unit front in kg

D: Additional possible load in kg with heavy load kit

A	B	C	D
1500-1750	22	22	B+5 / C+5
720-1400	19	19	
A1	15	19	
A2	15	19	



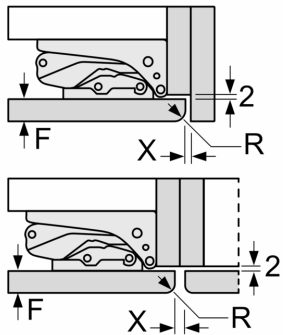
Maximal permissible weight of the unit fronts



Fitted kitchen unit doors that exceed the permissible weight may cause damage and result in functional impairment of the hinges.

T: Includes height of appliance door	undamped hinge, Door in kg:	damped hinge, Door in kg:
Hinges in mm:		
1500-1750	22	22

measurements in mm
Recommended gap dimensions for flat hinges



	F	R	X
16-19	0-3	2.5	
	20	0-1	3
21	2-3	2.5	
	0-1	3	
22	2-3	2.5	
	0	4	
	1	3.5	
	2-3	3	

The gap dimensions recommended in the table must be adhered to in order to ensure that appliance doors do not collide with anything when they are opened, and to avoid causing damage to kitchen units.