

**Series 8, heat pump tumble dryer, 9 kg
WTX88MH0AU**



Auto Clean



Ultimate heat pump dryer convenience, with AutoClean technology that minimises the need to clean the lint filter, and Home Connect Wi-Fi connectivity.

- **AutoClean technology with no door filter:** skip regular fluff cleaning and maintain top energy efficiency.
- **Home Connect:** home appliances with smart connectivity for an easier everyday life.
- **SmartDry:** your dryer connects to the Home Connect washer to recommend the right drying program for the load.
- **AutoDry:** automatically dries to the exact degree of dryness you'd like.
- **AntiVibration Design:** extremely stable and extraordinarily quiet

Technical Data

Built-in / Free-standing : Freestanding
Removable top : No
Door hinge : Right
Length electrical supply cord : 145.0 cm
Height of removable worktop : 0 mm
Dimensions of the product : 842 x 598 x 613 mm
Net weight : 55.7 kg
Fluorinated greenhouse gases : No
Type of refrigerant : R290
Hermetically sealed equipment : Yes
Quantity of fluorinated gases : 0.149 kg
EAN code : 4242005206971
Connection Rating : 600 W
Fuse protection : 10 A
Voltage : 220-240 V
Frequency : 50 Hz
Approval certificates : CE, VDE
Capacity cotton - NEW (2010/30/EC) : 9.0 kg
Energy efficiency rating : A+++

Optional accessories

WMZ20600 : Wool in basket - accessory
WTZ27400 : Stacking kit with pull-out shelf
WTZ27410 : Stacking kit



4 242005 206971

Series 8, heat pump tumble dryer, 9 kg WTX88MH0AU

**Ultimate heat pump dryer convenience,
with AutoClean technology that minimises
the need to clean the lint filter, and Home
Connect Wi-Fi connectivity.**

Capacity

- Capacity: 9 kg

Consumption rates

- 8 Star energy rating
- 145 kWh energy consumption per year, based on the Cottons program with drying options Cupboard Dry+ and Drying Level 1, used once per week

Programs

- Special drying programs:
 - Shirts/Blouses: designed to allow immediate ironing or hanging up shirts/blouses after the program completes
 - AllergyPlus/Hygienic: high temperature program for hard wearing items that need to be hygienically clean
 - Cottons: hard-wearing items made from cotton or linen
 - Smart Dry: a Bosch washing machine with Home Connect can automatically set the ideal drying program settings based on what it has just washed
 - Delicates: items made from satin, synthetic or blended fabrics
 - Towels: hard wearing towels and dressing gowns made of cotton
 - Mixed: items made from cotton or blended fabrics
 - Super 40': short program for synthetic fabrics and light cottons
 - Easy Care: items made from synthetic or blended fabrics
 - Timed Program Warm: manually set a custom time for drying slightly damp or multi layered thick items
 - Down Wear: clothing, bedspreads or eiderdowns stuffed with down
 - Sportswear: sports and leisure items made from synthetic fibres, microfibre or fleece
 - Quilts: clothing, pillows, quilts or bedspreads filled with synthetic fibres
 - Wool: Machine washable items made of wool
- Touch control option settings:
 - Easy Iron 120': the drum moves the laundry at regular intervals for 120 minutes after drying to prevent creasing
 - Easy Iron 60': the drum moves the laundry at regular intervals for 60 minutes after drying to prevent creasing
 - Child safety lock: prevent children from tampering with the program settings and turning on the appliance
 - Drying Target: set the desired dryness level: Cupboard Dry for regular items. Cupboard Dry Plus for thicker garments. Iron Dry for items that still need a to be a little damp after drying for ironing or hanging up
 - Drying Level: if you feel that the laundry is too damp when the drying program has ended you can adjust the drying level for future uses of the program to make the program run longer
 - Low Heat: reduce the drying temperature for delicate fabrics
 - Finished in (delayed start): you can delay the start of the program by up to 24 hours
 - Remote Start: allows you to start and control the appliance remotely via the Home Connect app
 - End Signal: activate or deactivate the audible signal at the end of the program

Performance

- ActiveAir heat pump technology, existing heat is reused efficiently during the entire drying process
- Sensitive drying system: textile friendly drum design and SoftFlow paddles ensure soft, fluffy laundry and helps to reduce creasing
- Fast Dryer Technology, dries clothes upto 8 minutes per kilogram faster than other Bosch heat pump dryers

Design

- AntiVibration design: for greater stability and quietness
- Large LED-Display for remaining time, 24 h end time delay and programme status indication, ability to turn on/off end of cycle - End Signal: activate or deactivate the audible signal at the end of the program
- Large water condensation container: If there is no drain hose connected to the appliance the condensation water from the drying cycle will be stored in the condensation container
- Glass door with 170 ° opening angle

Convenience

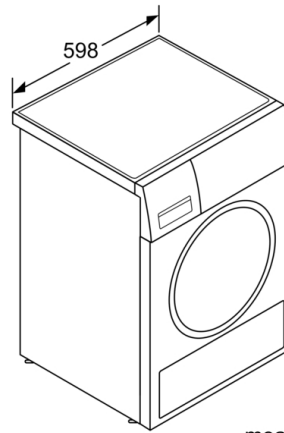
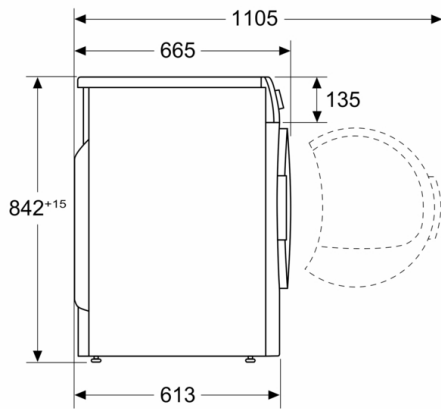
- Home Connect allows you to control and monitor your appliance via your smartphone or tablet, bringing convenience and additional smart features to your home
- Smart Dry automatically selects the best settings for drying your washing based on what was washed in your Bosch Home Connect washing machine
- AutoClean: minimal cleaning effort thanks to automatic lint removal technology. Lint is automatically blown to a lower catchment, meaning it only needs to be cleaned after approximately 20 cycles rather than after every use
- Time delay to select end of time of your wash (1-24 hours) and time remaining indicator
- Illuminated control dial with integrated power On/Off button
- LED interior drum light bathes the inside of the drum in a brilliant white light when opened
- Child safety control lock

Technical Information

- Dimensions (H x W x D): 84.2 cm x 59.8 cm x 61.3 cm (66.5 cm including door handle)
- Operating noise level: 62 dB(A)

**Series 8, heat pump tumble dryer, 9 kg
WTX88MH0AU**

Measurements in mm



measurements in mm