

**Serie | 8, Built-in oven, 60 x 60 cm,  
Black  
HBG675BB2A**



**Included accessories**

1 x grill tray  
suit. pyrol. clean.  
2 x combination grid  
1 x universal pan

**Optional accessories**

HEZ327000 : Pizza stone  
HEZ530000 : Half tray  
HEZ531010 : Baking tray, non-stick ceramic coated  
HEZ625071 : Grill tray, anthracite enamelled  
HEZ632070 : Multipurpose pan, anthracite enamelled  
HEZ633001 : Lid for professional pan, enamelled anth  
HEZ634000 : Baking and roasting grid (standard)  
HEZ638270 : 2 level telescopic rails, full ext,pyro  
HEZ638370 : 3 level telescopic rails, full ext,pyro

**The Series 8 built-in oven: impressive design and results for any kitchen.**

- **Pyrolytic self-cleaning:** Automatically cleans the oven, just wipe out the ash.
- **4D Hotair:** even heat distribution on all levels for perfect baking results without mixing flavours.
- **Pizza setting** - ideal for preparing of frozen and home made pizza.
- **AutoPilot 10:** every dish is a perfect success thanks to 10 pre-set automatic programs.
- **TFT-touchdisplay:** easy-to-use thanks to the control ring with clear text and symbols.

**Technical Data**

Color / Material Front : Black  
Built-in / Free-standing : Built-in  
Cleaning : Pyrolytic+Hydrolytic  
Required niche size for installation (HxWxD) : 585-595 x 560-568 x 550 mm  
Dimensions (HxWxD) : 595 x 594 x 548 mm  
Dimensions of the packed product (HxWxD) : 670 x 680 x 670 mm  
Control Panel Material : Glass  
Door Material : Glass  
Net weight : 38.8 kg  
Usable volume of cavity : 71 l  
Heating functions : , 4D HotAir, Bottom heat, Conventional heat, Defrost, Full width grill, Half width grill, Hot Air-Eco, Hot air grilling, Pizza setting, Pre-heating, Soft steaming, warming  
Oven control : electronic  
Number of interior lights : 1  
Approval certificates : CE, VDE  
Length electrical supply cord : 120 cm  
EAN code : 4242005131440  
Number of cavities (2010/30/EC) : 1  
Energy efficiency rating : A+  
Energy consumption per cycle conventional (2010/30/EC) : 0.87 kWh/cycle  
Energy consumption per cycle forced air convection (2010/30/EC) : 0.69 kWh/cycle  
Energy efficiency index (2010/30/EC) : 81.2 %  
Connection Rating : 3600 W  
Fuse protection : 16 A  
Voltage : 220-240 V  
Frequency : 60; 50 Hz  
Plug type : no plug



## **Serie | 8, Built-in oven, 60 x 60 cm, Black HBG675BB2A**

### **The Series 8 built-in oven: impressive design and results for any kitchen.**

#### **Dimensions**

- Appliance dimensions (HxWxD): 595 mm x 594 mm x 548 mm
- Installation dimensions (HxWxD): 585 mm - 595 mm x 560 mm - 568 mm x 550 mm
- Please reference the built-in dimensions provided in the installation drawing

#### **2 year warranty**

#### **Heating Functions**

- Oven with 13 heating methods:  
4D HotAir  
4D HotAir Eco Top/bottom heating Top/bottom heating Eco  
Hot air grilling Full width grill Half width grill Pizza setting  
Bottom heating Slow cooking Defrost Preheat ovenware Keep warm
- Temperature range 30 °C - 300 °C
- Cavity volume: 71 net usable litres

#### **Design**

- Anthracite enamel cavity with 5 shelf positions
- TFT Touch Symbol Display
- Drop down door, Oven door with SoftClose, SoftOpen

#### **Cleaning**

- Pyrolytic self-cleaning function
- Pyrolytic proof trayholder and baking tray

#### **Convenience**

- Automatic temperature proposal  
Residual heat indicator Actual temperature display
- Electronic clock/timer with end time programming
- Rapid heating-up: automatic
- softMove: gentle opening and closing of the oven door.
- Full glass inner door
- Halogen lighting
- Info button
- Cooling fan

#### **Sensor Technology & Automatic Programs**

- Number of automatic programmes: 10 PC

#### **Accessories**

- 1 x grill tray, suit. pyrol. clean., 2 x combination grid, 1 x universal pan

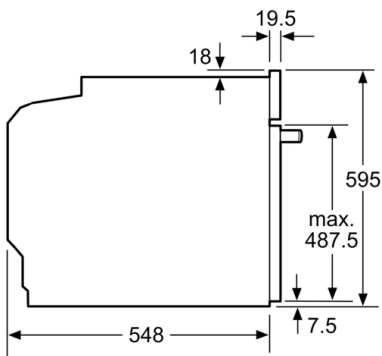
#### **Safety and Environment**

- Quadruple glazed CoolTouch door
- Maximum door temperature 30° C

#### **Technical Info**

- Length of mains cable: 120 cm
- Nominal voltage: 220 - 240 V
- Total connected load electric: 3.6 KW

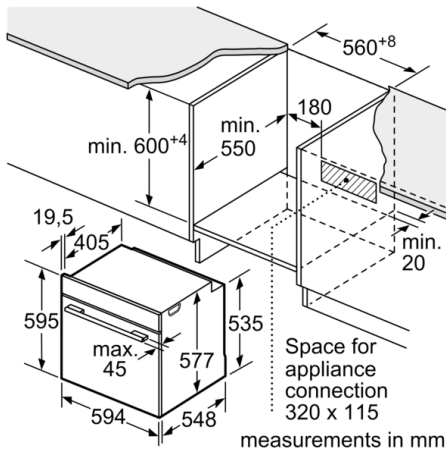
**Serie | 8, Built-in oven, 60 x 60 cm, Black  
HBG675BB2A**



measurements in mm

If the appliance will be installed underneath a hob, the following worktop thicknesses (including substructure if necessary) must be taken into account.

Hob type	min. worktop thickness	
	fitted	flush
Induction hob	37 mm	38 mm
Full surface Induction hob	47 mm	48 mm
Gas hob	30 mm	38 mm
Electric hob	27 mm	30 mm



measurements in mm