

**Serie | 4, Built-in oven, 60 x 60 cm,
Black
HBA534BB0A**



Included accessories

1 x grill tray
2 x combination grid
1 x universal pan

Optional accessories

HEZ327000 : Pizza stone
HEZ530000 : Half tray
HEZ531010 : Baking tray, non-stick ceramic coated
HEZ538000 : 1fold telescopic rail, level independent
HEZ538200 : 2 level telescopic shelf rails
HEZ625071 : Grill tray, anthracite enamelled
HEZ633001 : Lid for professional pan, enamelled anth
HEZ634000 : Baking and roasting grid (standard)

The built-in oven with 3D hotair: achieve perfect baking and roasting results on up to three levels simultaneously.

- **EcoClean Direct:** almost no cleaning is necessary thanks to a special coating of the rear wall that automatically absorbs grime.
- **Red LED display control:** easy-to-use thanks to the time functions.
- **Pop-out controls:** Make the front of the oven easy to clean and give it a sleek look.
- Pizza setting - ideal for preparing of frozen and home made pizza.
- **Cleaning Assistance:** less cleaning effort thanks to the new cleaning option, which can be especially used for cleaning of light soiling.

Technical Data

Color / Material Front : Black
Built-in / Free-standing : Built-in
Cleaning : catalytic partial, Hydrolytic
Required niche size for installation (HxWxD) : 585-595 x 560-568 x 550 mm
Dimensions (HxWxD) : 595 x 594 x 548 mm
Dimensions of the packed product (HxWxD) : 675 x 690 x 670 mm
Control Panel Material : Glass
Door Material : Glass
Net weight : 34.4 kg
Usable volume of cavity : 71 l
Heating functions : Bottom heat, Conventional heat, Full width grill, Hot Air, Hot air gentle, Hot air grilling, Pizza setting
First cavity material : Other
Oven control : mechanical
Number of interior lights : 1
Approval certificates : CE, VDE
Length electrical supply cord : 120 cm
EAN code : 4242005293322
Number of cavities (2010/30/EC) : 1
Energy efficiency rating : A
Energy consumption per cycle conventional (2010/30/EC) : 0.97 kWh/cycle
Energy consumption per cycle forced air convection (2010/30/EC) : 0.81 kWh/cycle
Energy efficiency index (2010/30/EC) : 95.3 %
Connection Rating : 3400 W
Fuse protection : 16 A
Voltage : 220-240 V
Frequency : 50; 60 Hz
Plug type : no plug



4 242005 293322

Serie | 4, Built-in oven, 60 x 60 cm, Black HBA534BB0A

The built-in oven with 3D hotair: achieve perfect baking and roasting results on up to three levels simultaneously.

Dimensions

- Appliance dimensions (HxWxD): 595 mm x 594 mm x 548 mm
- Installation dimensions (HxWxD): 585 mm - 595 mm x 560 mm - 568 mm x 550 mm
- Please reference the built-in dimensions provided in the installation drawing

Heating Functions

- Oven with 7 heating methods:
 - Full width grill
 - Hotair gentle
 - 3D Hotair
 - Top/bottom heating
 - Pizza setting
 - Bottom heating
 - Hot air grilling
- Temperature range 50 °C - 275 °C
- Cavity volume: 71 net usable litres

Hook-in racks / rails

- Number of shelf levels: 5 PC
- Telescopic rails: Available as an additional accessory

Design

- Rotary control knobs, Retractable control knobs
- Extra large capacity oven with grey enamel

Cleaning

- EcoClean Direct : back panel
- Cleaning Assistance - cleaning option for light soiling
- Full glass inner door

Convenience

- LED-display control (red)
- Automatic start
 - Actual temperature display
- Bar handle
- Rapid heating-up: manual
- Halogen lighting
- Cooling fan

Accessories

- 1 x grill tray, 2 x combination grid, 1 x universal pan

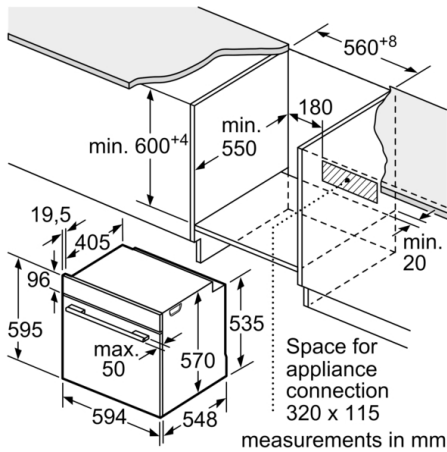
Safety and Environment

- Maximum door temperature 40° C
- Child lock function

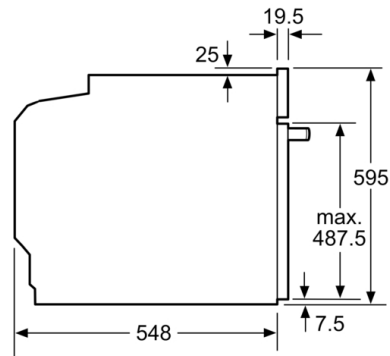
Technical Info

- Length of mains cable: 120 cm
- Nominal voltage: 220 - 240 V
- Total connected load electric: 3.4 KW

**Serie | 4, Built-in oven, 60 x 60 cm, Black
HBA534BB0A**

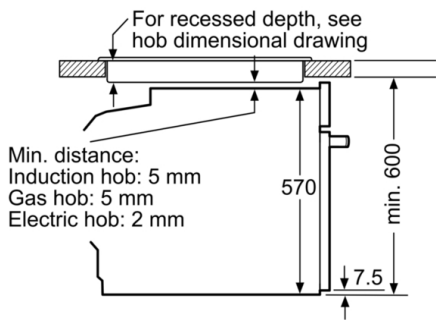


measurements in mm



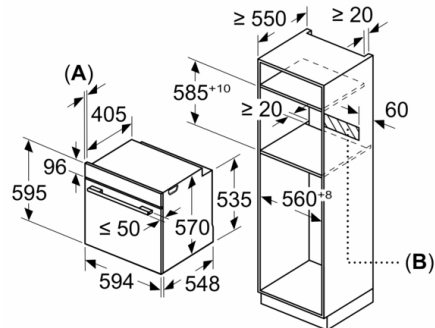
measurements in mm

Installation with a hob.



measurements in mm

Measurements in mm



A: 19.5 mm
B: Space for appliance connection 320 x 115 mm