

**Serie | 8, Built-in oven with added steam function, 60 x 60 cm, Black HRG6769B2A**



**Included accessories**

1 x grill tray  
 suit. pyrol. clean.  
 2 x combination grid  
 1 x universal pan

**Optional accessories**

HEZ327000 : Pizza stone  
 HEZ530000 : Half tray  
 HEZ531010 : Baking tray, non-stick ceramic coated  
 HEZ625071 : Grill tray, anthracite enamelled  
 HEZ632070 : Multipurpose pan, anthracite enamelled  
 HEZ633001 : Lid for professional pan, enamelled anth  
 HEZ634000 : Baking and roasting grid (standard)

**The Series 8 built-in oven with PerfectBake, PerfectRoast and added steam: automatically prepares your dishes so they're perfect and moist.**

- **Pyrolytic self-cleaning:** effortless cleaning thanks to pyrolytic cleaning programs.
- **3-stage telescoping rails, fully extendable:** for safe, easy insertion and removal of baking trays.
- **Added Steam:** achieve cooking results that are crispy on the outside and juicy on the inside.
- **Assist:** sets the optimal type of heat, temperature and time automatically for a wide range of dishes.
- **TFT touchdisplay:** easy and intuitive oven control with touchscreen.

**Technical Data**

Color / Material Front : Black  
 Built-in / Free-standing : Built-in  
 Cleaning : Pyrolytic+Hydrolytic  
 Required niche size for installation (HxWxD) : 585-595 x 560-568 x 550 mm  
 Dimensions (HxWxD) : 595 x 594 x 548 mm  
 Dimensions of the packed product (HxWxD) : 650 x 680 x 650 mm  
 Control Panel Material : Glass  
 Door Material : Glass  
 Net weight : 47.1 kg  
 Usable volume of cavity : 71 l  
 Heating functions : , 4D HotAir, Bottom heat, Conventional heat, Defrost, Dehydrate, Full width grill, Half width grill, Hot Air-Eco, Hot Air grilling, Intensive heat, Low temperature cooking, Pizza setting, Pre-heating, Warming  
 Oven control : electronic  
 Number of interior lights : 3  
 Approval certificates : CE, VDE  
 Length electrical supply cord : 120 cm  
 EAN code : 4242005131778  
 Number of cavities (2010/30/EC) : 1  
 Energy efficiency rating : A  
 Energy consumption per cycle conventional (2010/30/EC) : 0.90 kWh/cycle  
 Energy consumption per cycle forced air convection (2010/30/EC) : 0.74 kWh/cycle  
 Energy efficiency index (2010/30/EC) : 87.1 %  
 Connection Rating : 3600 W  
 Fuse protection : 16 A  
 Voltage : 220-240 V  
 Frequency : 50; 60 Hz  
 Plug type : no plug



## **Serie | 8, Built-in oven with added steam function, 60 x 60 cm, Black HRG6769B2A**

**The Series 8 built-in oven with PerfectBake, PerfectRoast and added steam: automatically prepares your dishes so they're perfect and moist.**

### **Heating Functions**

- Oven with 15 heating methods:
  - 4D HotAir
  - Defrost
  - Drying
  - Full width grill
  - 4D HotAir Eco
  - Intensive heat
  - Half width grill
  - Top/bottom heating
  - Top/bottom heating Eco
  - Pizza setting
  - Slow cooking
  - Bottom heating
  - Hot air grilling
  - Preheat ovenware
  - Keep warm
- Additional heating methods with steam: Reheating, Dough Proving
- Rapid heating-up: automatic
- Temperature range 30 °C - 300 °C

### **Sensor Technology & Automatic Programs**

- Bosch Assist - a menu of dishes for automatic cooking
- PerfectBake baking sensor
- PerfectRoast multipoint meat probe

### **Design**

- TFT Touch Graphic Display
- Bosch Control Ring
- LED lighting, Multi-level LED lighting
- Cavity volume: 71 net usable litres
- Anthracite enamel cavity with 5 shelf positions

### **Cleaning**

- Pyrolytic self-cleaning function
- Pyrolytic proof trayholder and baking tray
- Additional functions:
  - Descaling programme
  - drying function
- Full glass inner door

### **Convenience**

- Automatic temperature proposal
- Actual temperature display
- Residual heat indicator
- Meat probe function
- Sabbath setting
- Telescopic rails: 3-level telescopic rails, fully extendable, safety stop function, pyrolytic proof
- Electronic clock/timer with end time programming
- Info button
- Large 1 litre water tank
- Water tank empty indicator
- Location of the steam generator is outside of the cavity
- Bar handle

### **Safety and Environment**

- Quadruple glazed CoolTouch door
- Maximum door temperature 30° C
- Electronic door lock
- Child lock function
- Automatic safety switch off function
- Residual heat indicator
- Start button
- Door contact switch
- Cooling fan

### **Accessories**

- 1 x grill tray, suit. pyrol. clean., 2 x combination grid, 1 x universal pan

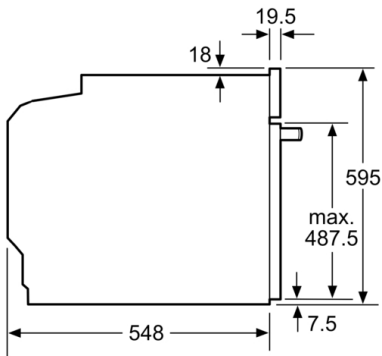
### **Dimensions**

- Appliance dimensions (HxWxD): 595 mm x 594 mm x 548 mm
- Installation dimensions (HxWxD): 585 mm - 595 mm x 560 mm - 568 mm x 550 mm

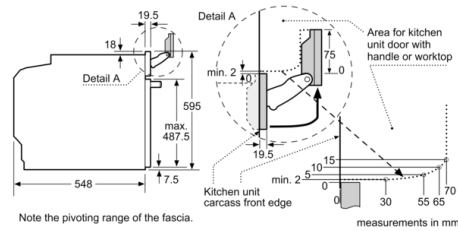
### **Technical Info**

- Length of mains cable: 120 cm
- Nominal voltage: 220 - 240 V
- Total connected load electric: 3.6 KW
- Please reference the built-in dimensions provided in the installation drawing

**Serie | 8, Built-in oven with added steam function, 60 x 60 cm, Black  
HRG6769B2A**

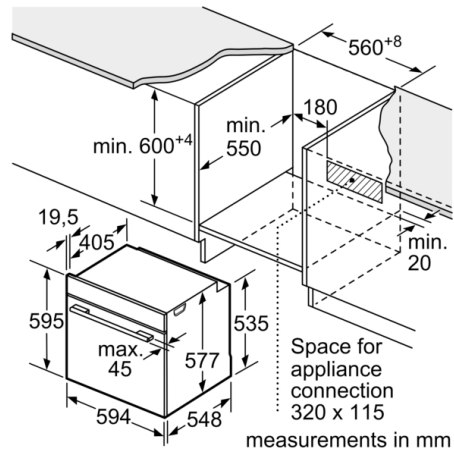


measurements in mm



If the appliance will be installed underneath a hob, the following worktop thicknesses (including substructure if necessary) must be taken into account.

Hob type	min. worktop thickness	
	fitted	flush
Induction hob	37 mm	38 mm
Full surface Induction hob	47 mm	48 mm
Gas hob	30 mm	38 mm
Electric hob	27 mm	30 mm



measurements in mm