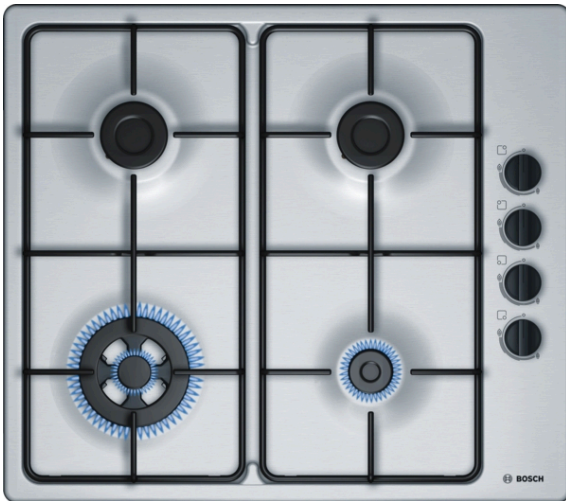


**Serie | 2, HEADER2.Gas_Hob, 60 cm,
Stainless steel
PBH6B5B80A**



Included accessories
1 x WOK attachment ring

The gas cooktop with side-mounted controls: the desired cooking zones can be conveniently operated from the side.

- **Wok burner:** powerful cooking at up to 13 MJ/h.
- **Continuous steel pan supports:** for maximum stability.
- **Sword knobs:** for an ergonomic control.
- **Surface colour:** elegant stainless-steel design.
- Low profile stainless steel cooking surface is easily accessible and quick to clean.

Technical Data

Product name/family : gas hob w integrated controls
Construction type : Built-in
Energy input : Gas
Total number of positions that can be used at the same time : 4
Type of control setting devices : Sword knobs
Required niche size for installation (HxWxD) : 45 x 560-562 x 480-492 mm
Width of the appliance : 580 mm
Dimensions (HxWxD) : 45 x 580 x 510 mm
Dimensions of the packed product (HxWxD) : 141 x 651 x 578 mm
Net weight : 6.6 kg
Gross weight : 7.5 kg
Residual heat indicator : without
Location of control panel : Hob lateral
Basic surface material : Stainless steel
Color of surface : Stainless steel
Color of frame : Stainless steel
Approval certificates : Australia Standards, Australia Standards
Length electrical supply cord : 100 cm
EAN code : 4242002834214
Electrical connection rating : 1 W
Gas connection rating : 7700 W
Fuse protection : 3 A
Voltage : 220-240 V
Frequency : 50; 60 Hz



4 242002 834214

**Serie | 2, HEADER2.Gas_Hob, 60 cm,
Stainless steel
PBH6B5B80A**

The gas cooktop with side-mounted controls: the desired cooking zones can be conveniently operated from the side.

Design

- 4 burner brushed stainless steel gas cooktop
- 2 standard, 1 economy, 1 wok burner
- Flat steel enamelled pan supports

Size & Power

- Front left: Wok burner 13 Mj/h
- Rear left: Standard burner up to 6.5 Mj/h (depending on gas type)
- Rear right: Standard burner up to 6.5 Mj/h (depending on gas type)
- Front right: Economy burner up to 3.8 Mj/h (depending on gas type)

Comfort & Convenience

- Easy to use side control knobs
- One-hand electronic ignition via controls

Safety and Environment

- Flame failure device fitted to each individual burner

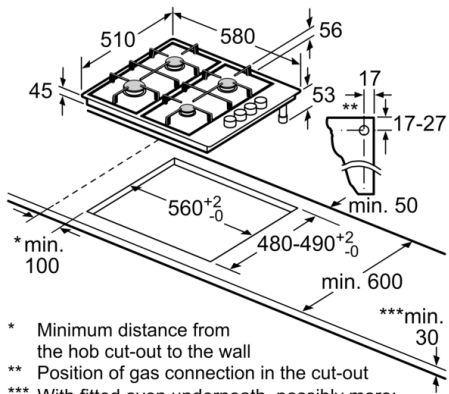
Dimensions (WxD)

- Appliance dimensions: (W x D) 580 mm x 510 mm
- Installation dimensions: (H x W x D) 45 mm x 560 mm x 480 mm
- Connecting cable 1 m with plug
- Preset to natural gas (10mbar)
- Preset to natural gas (10mbar)

Supplied Accessories

- Liquid gas nozzles (28-30/37mbar) included

**Serie | 2, HEADER2.Gas_Hob, 60 cm,
Stainless steel
PBH6B5B80A**



- * Minimum distance from the hob cut-out to the wall
 - ** Position of gas connection in the cut-out
 - *** With fitted oven underneath, possibly more; see space requirements for the oven
- measurements in mm