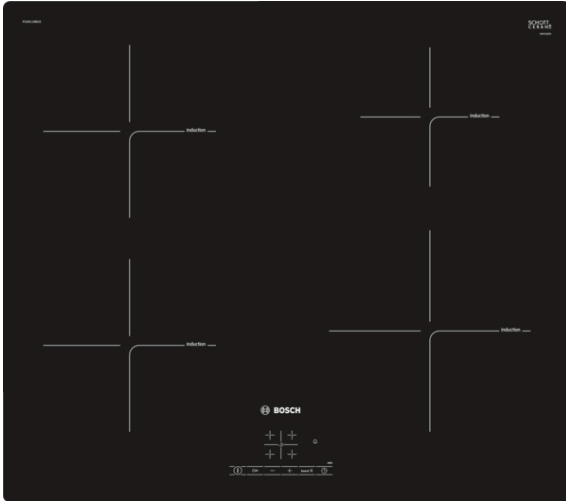


## Serie | 4, Induction hob, 60 cm, Black PUE611BB1E



### Optional accessories

HEZ390090 : Wok Set consisting of 3 Items

## The induction cooktop: cook fast, clean and safely while using very little energy.

- **TouchSelect:** Selection of the desired cooking zone and easy setting of the desired power level.
- **PowerBoost:** up to 50% more power for faster heating on your induction cooktop.
- **ReStart:** if something boils over, the cooktop automatically turns itself off and saves the last selected setting.
- **Timer with switch-off function:** Conveniently turns off the assigned cooking zone after the set time.
- **ChildLock:** locks the control panel to prevent accidental changes in settings.

### Technical Data

Product name/family : Cooking zone ceramic

Construction type : Built-in

Energy input : Electric

Total number of positions that can be used at the same time : 4

Required niche size for installation (HxWxD) : 51 x 560-560 x 490-500 mm

Width of the appliance : 592 mm

Dimensions (HxWxD) : 51 x 592 x 522 mm

Dimensions of the packed product (HxWxD) : 126 x 753 x 603 mm

Net weight : 11.5 kg

Gross weight : 12.6 kg

Residual heat indicator : separate

Location of control panel : Hob front

Basic surface material : Ceramic

Color of surface : Black

Approval certificates : AENOR, CE

Length electrical supply cord : 110 cm

EAN code : 4242002870502

Electrical connection rating : 4600 W

Voltage : 220-240 V

Frequency : 50; 60 Hz



4 242002 870502

## Serie | 4, Induction hob, 60 cm, Black PUE611BB1E

### The induction cooktop: cook fast, clean and safely while using very little energy.

- 60 cm: space for 4 pots or pans.

#### Flexibility of cooking zones

- Cooking zone front left: 180 mm, 1.8 KW (max. power 3.1 KW)
- Cooking zone rear left: 180 mm, 1.8 KW (max. power 3.1 KW)
- Cooking zone rear right: 145 mm , 1.4 KW (max power 2.2 KW)
- Cooking zone front right: 210 mm, 2.2 KW (max. power 3.7 KW)

#### Usage convenience

- Electronic TouchSelect +/- controls: control the power with imprinted +/- touch buttons.
- 17 power levels for each cooking zone: precisely adapt the heat with 17 power levels (9 main levels and 8 intermediate levels).
- Timer with automatic switch off for all zones  
: switches off the cooking zone at the end of the time set (e.g. for boiled eggs).
- Alarm  
: an alarm sounds at the end of the time set (e.g. for pasta).

#### Time saving & efficiency

- PowerBoost function - reduce the time to heat up large quantities of water  
: boil water more quickly thanks to 50% more energy than at the highest standard level.
- QuickStart - Quick and automatic first pot detection: when switching on, the cooktop automatically selects the cooking zone with cookware (placed in off-mode).
- ReStart - Quickly reinstates previous settings: in case of unintentional switch-off, restore all previous settings by switching on the cooktop again within 4 seconds.
- Quick Stop: quickly switch off a cooking zone with one longer touch.

#### Design

- Frameless

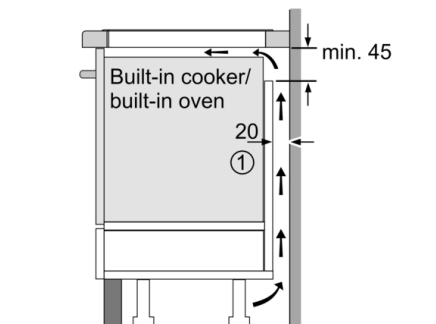
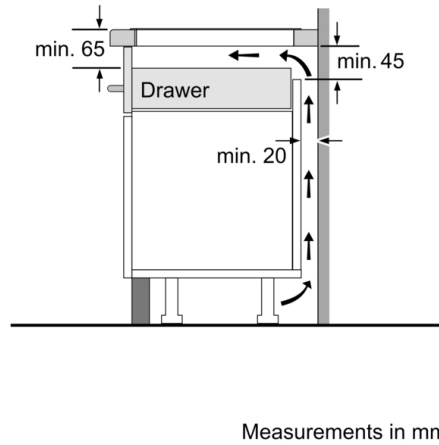
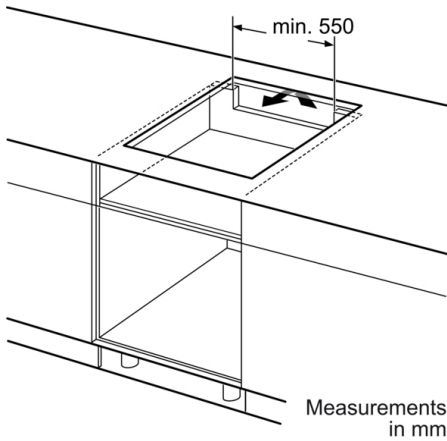
#### Safety

- Digital 2-stage residual heat indicator: indicates which cooking zones are still hot or warm.
- Childproof lock: prevent unintended activation of the cooktop.
- Main switch: switch off all cooking zones at the touch of a button.
- Automatic safety switch-off: for safety reasons, heating stops after a preset time without interaction (customizable).

#### Installation

- Dimensions of the product (HxWxD mm): 51 x 592 x 522
- Required niche size for installation (HxWxD mm) : 51 x 560 x (490 - 500)
- Min. worktop thickness: 16 mm
- Connected load: 4.6 KW
- PowerManagement Function: limit the maximum power if needed (depends on fuse protection of electric installation).
- Power cord: 1.1 m, Cable included
- Nominal voltage: 220 - 240 V

**Serie | 4, Induction hob, 60 cm, Black  
PUE611BB1E**



① Ventilation gap must be present

All measurements in mm

