

**Serie | 2, Built-in oven, 60 x 60 cm,
Stainless steel
HBF133BS0A**



Included accessories

1 x enamel baking tray
1 x combination grid
1 x universal pan

Optional accessories

HEZ327000 : Pizza stone
HEZ625071 : Grill tray, anthracite enamelled

The built-in oven with 3D hotair: achieve perfect baking and roasting results on up to three levels simultaneously.

- **3D Hotair:** even heat distribution for perfect results on up to three levels.
- **Red LED display control:** easy-to-use thanks to the time functions.
- **Pop-out controls:** Make the front of the oven easy to clean and give it a sleek look.
- **EcoClean Direct:** almost no cleaning is necessary thanks to a special coating of the rear wall that automatically absorbs grime.

Technical Data

Color / Material Front : Stainless steel
 Built-in / Free-standing : Built-in
 Cleaning : catalytic partial
 Required niche size for installation (HxWxD) : 575-597 x 560-568 x 550 mm
 Dimensions (HxWxD) : 595 x 594 x 548 mm
 Dimensions of the packed product (HxWxD) : 657 x 680 x 650 mm
 Control Panel Material : Stainless steel
 Door Material : Glass
 Net weight : 33.3 kg
 Usable volume of cavity : 66 l
 Heating functions : Conventional heat, Full width variable grill, Hot Air, Hot air gentle, Hot Air grilling
 First cavity material : Other
 Oven control : mechanical
 Number of interior lights : 1
 Approval certificates : CE
 Length electrical supply cord : 146 cm
 EAN code : 4242005047383
 Number of cavities (2010/30/EC) : 1
 Energy efficiency rating : A
 Energy consumption per cycle conventional (2010/30/EC) : 0.98 kWh/cycle
 Energy consumption per cycle forced air convection (2010/30/EC) : 0.79 kWh/cycle
 Energy efficiency index (2010/30/EC) : 95.2 %
 Connection Rating : 3300 W
 Fuse protection : 16 A
 Voltage : 220-240 V
 Frequency : 60; 50 Hz
 Plug type : no plug



4 242005 047383

Serie | 2, Built-in oven, 60 x 60 cm, Stainless steel HBF133BS0A

The built-in oven with 3D hotair: achieve perfect baking and roasting results on up to three levels simultaneously.

Dimensions

- Appliance dimensions (HxWxD): 595 mm x 594 mm x 548 mm
- Installation dimensions (HxWxD): 575 mm - 597 mm x 560 mm - 568 mm x 550 mm
- Please reference the built-in dimensions provided in the installation drawing

Heating Functions

- Oven with 5 heating methods:
 - 3D Hotair
 - Top/bottom heating
 - Hot air grilling
 - Hotair gentle
 - Grill - large area
- Temperature range 50 °C - 275 °C
- Rapid heating-up: manual

Hook-in racks / rails

- Telescopic rails: Available as an additional accessory

Design

- Rotary control knobs, Retractable control knobs
- enamel grey with 5 shelf positions
- Cavity volume: 66 l

Cleaning

- EcoClean Direct : back panel
- Full glass inner door

Convenience

- LED-display control (red)
- Electronic clock/timer with end time programming
- Drop down door
- Halogen lighting
- Cooling fan
- Bar handle
- Electronic functions: Automatic start

Safety and Environment

- Triple glazed door
- Child lock function

Accessories

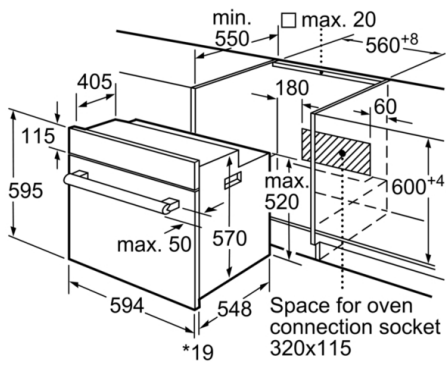
- 1 x universal pan, 1 x combination grid, 1 x enamel baking tray

2 year warranty

Technical Info

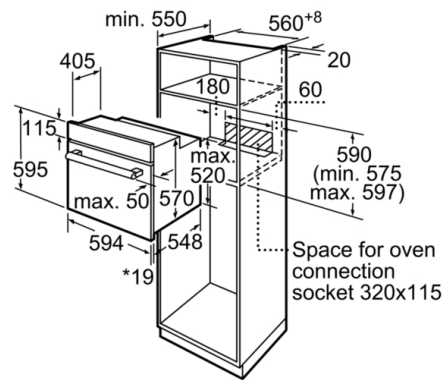
- Length of mains cable: 146 cm
- Nominal voltage: 220 - 240 V
- Total connected load electric: 3.3 KW

Serie | 2, Built-in oven, 60 x 60 cm, Stainless steel
HBF133BS0A



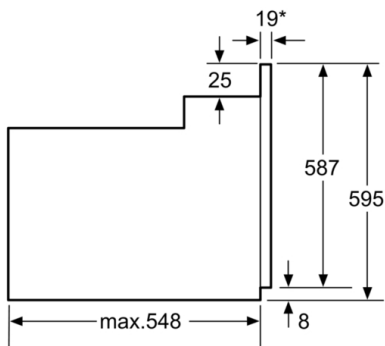
* 20 mm for metal fascias

measurements in mm



* 20 mm for metal fascias

measurements in mm



* 20 mm for metal fascias

Dimensions in mm