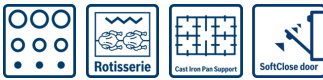


**Serie | 8, Dual fuel range cooker,
Stainless steel
HSB838357A**



The electric Range Cooker with up to 10 heating modes and gas cooktop: lets you cook like a professional.

- **Pyrolytic self-cleaning:** effortless cleaning thanks to pyrolytic cleaning programs.
- Rotisserie delivers the best homemade rotisserie chicken with the perfect brown look.
- Cast Iron Pan Support provides extra support for your heavier pots and pans.
- Low profile stainless steel cooking surface is easily accessible and quick to clean.
- Drop down door with SoftClose mechanism

Technical Data

Built-in / Free-standing : Freestanding
Dimensions (HxWxD) : 900-950 x 898 x 600 mm
Length electrical supply cord : 120 cm
Net weight : 89.4 kg
Gross weight : 99.4 kg
EAN code : 4242002933177
Number of cavities (2010/30/EC) : 1
Usable volume of cavity : 112 l
Connection Rating : 4200 W
Fuse protection : 16 A
Voltage : 220-240 V
Frequency : 60; 50 Hz
Plug type : AU plug

Included accessories

2 x enamel baking tray, 1 x rotary spit, 1 x insert grid, 1 x cross support for espresso, 1 x governor 10mbar NG (AU), 2 x grill shelf, 1 x WOK attachment ring, 2 x telescopic rack

Serie | 8, Dual fuel range cooker, Stainless steel HSB838357A

The electric Range Cooker with up to 10 heating modes and gas cooktop: lets you cook like a professional.

COOKTOP

Design

- Gas cooktop including 1 Dual wok burner

Size & Power

- 1 High-speed, 2 Standard, 1 Economy, 1 Wok burner
- Rear left: Standard burner 7 Mj/h
- Front left: Wok burner 13.6 Mj/h 14 Mj/h
- Center rear: Economy burner 4 Mj/h
- Centre front: High-speed burner 12 Mj/h
- Rear right: Standard burner 7 Mj/h
- Front right: Economy burner 4 Mj/h

Comfort & Convenience

- Oven
 - Enamelled oven cavity grey
 - Quadruple glazed CoolTouch door
 - Straight Bar handle
- One-hand electronic ignition via controls
- Enamelled cast-iron trivets with rubber feet

Safety and Environment

- Flame failure device fitted to each individual burner

OVEN

Heating Functions

- Extra large capacity oven (112 l) with grey enamel
- 10 cooking functions:
 - Grill - large area
 - Fan forced hot air
 - Top/bottom heating
 - Top/bottom heating Eco
 - Pyrolytic self-cleaning
 - Hot air grilling
 - Fan assisted top/bottom heating
 - Bottom heating and fan
 - Hot air & bottom heat
 - Rotisserie

Cleaning

- Pyrolytic self-cleaning function
- Electronic clock/timer with LED display
- Telescopic extension rail x 1
- Number of oven lights: 2 PC
- Height adjustable legs by: 50 mm
- Quadruple glazed CoolTouch door

2 year warranty

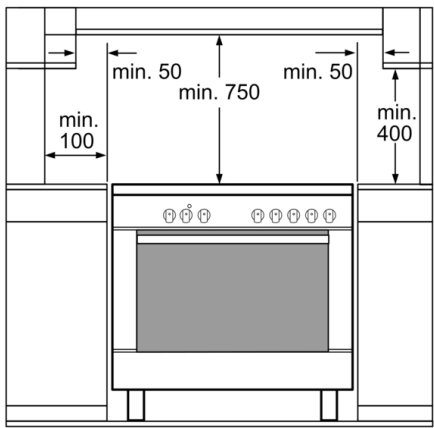
Accessories

- Included accessories:
 - enamel baking tray
 - rotary spit
 - insert grid
 - cross support for espresso
 - governor 10mbar NG (AU)
 - grill shelf
 - telescopic rack
 - WOK attachment ring

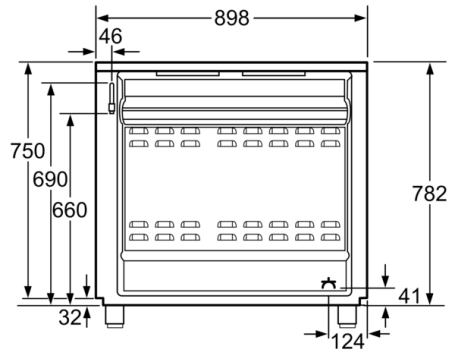
Technical Info

- Appliance dimensions (HxWxD): 900 mm x 898 mm x 600 mm
- Total connected load electric: 4.2 KW
- Length of mains cable: 120 cm
- Suitable for natural gas and LPG

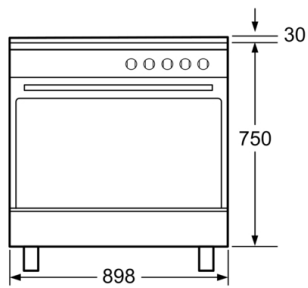
Serie | 8, Dual fuel range cooker, Stainless steel
HSB838357A



measurements in mm



measurements in mm



measurements in mm