

**Serie | 2, Wall-mounted canopy  
rangehood, 60 cm, Stainless steel  
DWB65BC50A**



**Canopy rangehood: performance and  
matching kitchen design bundled in one  
rangehood.**

- **LED lighting:** for perfect, energy-efficient illumination of the cooktop.
- With exhaust, the air is cleaned by a grease filter and then ducted to the outside which ensures optimal kitchen air quality.
- Dishwasher-safe metal grease filters for easy cleaning.
- 3-Speed Power Level Options To Suit Your Cooking Style And Recipes
- Ducted or Non-ducted Options

---

**Technical Data**

Typology : Wall-mounted  
Approval certificates : CE  
Length electrical supply cord : 150 cm  
Height of the chimney : 415-680/495-770 mm  
Height of product, without chimney : 53 mm  
Minimum distance above an electric cooktop : 650 mm  
Minimum distance above a gas cooktop : 750 mm  
Net weight : 15.4 kg  
Type of control : mechanical  
Number of power settings : 3  
Maximum output air extraction : 612 m<sup>3</sup>/h  
Maximum output recirculating air : 278 m<sup>3</sup>/h  
Number of lights : 2  
Noise level : 69 dB(A) re 1 pW  
Diameter of air outlet : 120 mm  
Grease filter material : Washable aluminium  
EAN code : 4242005184941  
Connection Rating : 216 W  
Voltage : 220-240 V  
Frequency : 50 Hz  
Plug type : AU plug  
Installation type : Wall-mounted



## **Serie | 2, Wall-mounted canopy rangehood, 60 cm, Stainless steel DWB65BC50A**

### **Canopy rangehood: performance and matching kitchen design bundled in one rangehood.**

---

#### **Design & Innovation**

- Box design
- Appliance colour: Stainless steel

#### **Power and Mode of Operation**

- 3 power settings
- Push button for power and light
- Extraction rate exhaust air according to EN 61591: max. 580 m<sup>3</sup>/h
- Extraction rate in recirculation mode:  
Max. normal use: 278 m<sup>3</sup>/h
- Ducted and recirculated-air operation
- For recirculated extraction optional recirculation kit (accessory) needed
- Noise level according to EN 60704-3 und EN 60704-2-13 at max. normal use exhaust air: 69 dB(A) re 1 pW (55 dB(A) re 20 µPa sound pressure)
- Noise level in recirculation mode:  
Max. normal use: 66 dB(A) re 1 pW (52 dB(A) re 20 µPa sound pressure)

#### **Convenience**

- 2 x 3 Watt LED Lights
- Dishwasher safe metal grease filters
- Noise min./max. Normal Level: 48/69 dB

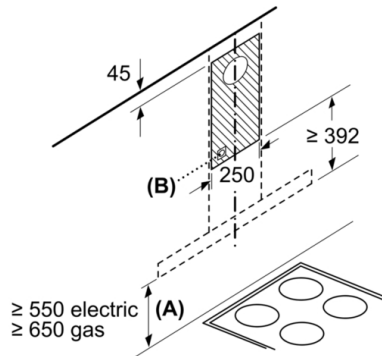
#### **2 year warranty**

#### **Technical Information**

- Appliance width: 598 mm
- Dimensions exhaust air (HxWxD): 550-830 x 598 x 500 mm
- Dimensions recirculating (HxWxD): 550-830 x 598 x 500 mm
- Energy Efficiency Class: C (at a range of energy efficiency classes from A++ to E)
- Average Energy Consumption: 91 kWh/year
- Diameter pipe Ø 120 mm (Ø 120 mm enclosed)
- Power rating: 216 W
- Electrical cable length 1.5 m

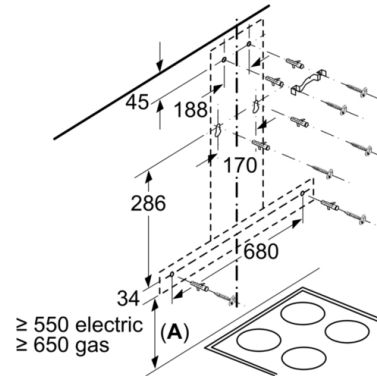
**Serie | 2, Wall-mounted canopy rangehood,  
60 cm, Stainless steel  
DWB65BC50A**

measurements in mm



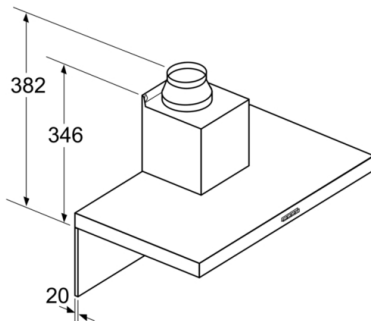
**A:** from upper edge of pan support  
**B:** Socket

measurements in mm



**A:** from upper edge of pan support

measurements in mm



If a back panel is used, the design of the appliance must be considered.