

**Serie | 2, integrated rangehood, 53 cm, Grey
DLN54AA70A**



Optional accessories

DWZ0IN0T0 : Standard recirculation kit

The integrated rangehood: offers a sleek and seamless design in the kitchen with fully integrated installation.

- **LED lighting:** for perfect, energy-efficient illumination of the cooktop.
- With exhaust, the air is cleaned by a grease filter and then ducted to the outside which ensures optimal kitchen air quality.
- Dishwasher-safe metal grease filters for easy cleaning.
- 3-Speed Power Level Options To Suit Your Cooking Style And Recipes
- Ducted or Non-ducted Options

Technical Data

Typology : Built-in/Built-under
Approval certificates : Australia Standards
Length electrical supply cord : 150 cm
Required niche size for installation (HxWxD) : 208mm x 493.0mm x 257mm mm
Minimum distance above an electric cooktop : 550 mm
Minimum distance above a gas cooktop : 600 mm
Net weight : 4.6 kg
Type of control : mechanical
Number of power settings : 3
Maximum output air extraction : 420 m³/h
Maximum output recirculating air : 410 m³/h
Number of lights : 2
Noise level : 67 dB(A) re 1 pW
Diameter of air outlet : 120 mm
Grease filter material : Washable aluminium
EAN code : 4242005127139
Connection Rating : 121 W
Fuse protection : KSA A
Voltage : 220-240 V
Frequency : 50 Hz
Plug type : AU plug
Installation type : Built-in



4 242005 127139

Serie | 2, integrated rangehood, 53 cm, Grey DLN54AA70A

The integrated rangehood: offers a sleek and seamless design in the kitchen with fully integrated installation.

Design & Innovation

- Sliding switch control for power and light

Power and Mode of Operation

- 3 power settings
- Maximum extraction 420 m³/h
- Extraction rate in recirculation mode:
Max. normal use: 410 m³/h
- Ducted and recirculated-air operation
- For recirculated extraction optional recirculation kit (accessory) needed
- Noise min./max. Normal Level: 55/67 dB
- Noise level in recirculation mode:
Max. normal use: 68 dB(A) re 1 pW (55 dB(A) re 20 µPa sound pressure)

Comfort & Convenience

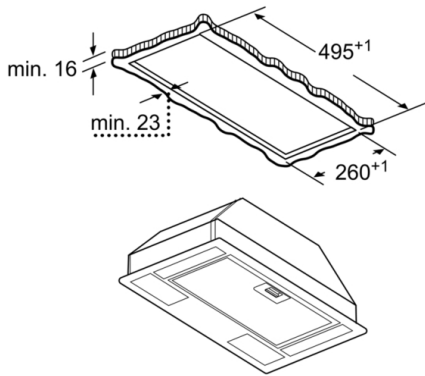
- Dishwasher safe metal grease filters
- 2 x 3W LED lights
- with one-way flap: prevents outside air from entering your kitchen

2 year warranty

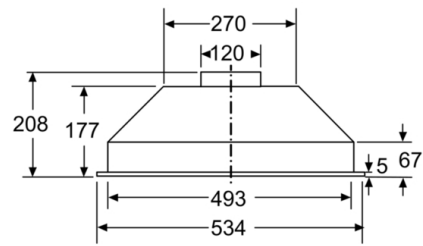
Technical Information

- Appliance width: 534 mm
- Appliance dimensions (HxWxD): 208 x 534 x 300 mm
- Built-in dimensions (HxWxD): 208 x 493 x 257 mm
- Diameter pipe Ø 120 mm (Ø 120 mm enclosed)
- Electrical cable length 1.5 m
- Power rating: 121 W

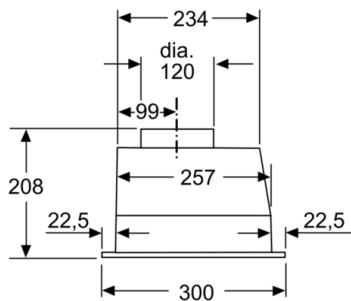
**Serie | 2, integrated rangehood, 53 cm, Grey
DLN54AA70A**



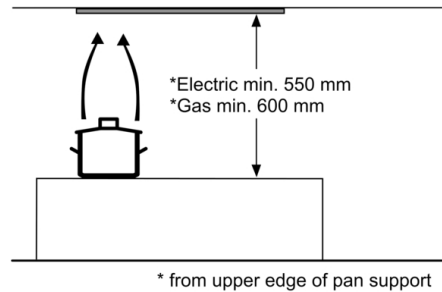
measurements in mm



measurements in mm



measurements in mm



Use with gas hob:
 Total maximum output: 9.75 kW
 Maximum output of wok 4 kW.
 Total maximum output of rear hobs: 5.25 kW

measurements in mm