

**Serie | 8, built-under dishwasher, 60 cm, Stainless steel  
SMU8EDS01A**



**Better drying results via AutoDoor open technology and comfortable loading with extra 3rd rack for all your difficult to place items.**

- **EfficientDry:** improved drying performance by automatic door opening.
- **Max Flex Pro baskets:** easy loading with protection for your dishes.
- **Extra Space 3rd Basket:** additional basket provides more space for smaller or odd shaped kitchen items.
- The Silence plus dishwasher is pleasingly quiet at just 42 dB.
- **Home Connect:** home appliances with smart connectivity for an easier everyday life.

---

**Technical Data**

Water consumption : 11.5 l

Built-in / Free-standing : Built-in

Height of removable worktop : 0 mm

Dimensions of the product (HxWxD) : 815 x 598 x 573 mm

Required niche size for installation (HxWxD) : 815-875 x 600 x 550 mm

Depth with open door 90 degree : 1150 mm

Adjustable feet : Yes - all from front

Maximum adjustability feet : 60 mm

Adjustable plinth : Both horizontal and vertical

Net weight : 45.8 kg

Gross weight : 48.0 kg

Connection Rating : 2400 W

Fuse protection : 10 A

Voltage : 220-240 V

Frequency : 50; 60 Hz

Length electrical supply cord : 175 cm

Plug type : AU plug

Length inlet hose : 165 cm

Length outlet hose : 190 cm

EAN code : 4242005279869

Number of place settings : 14

Energy consumption : 0.62 kWh

Total cycle time of reference programme : 225 min

Noise level : 42 dB(A) re 1 pW

Installation typology : Built-under



4 242005 279869

## Serie | 8, built-under dishwasher, 60 cm, Stainless steel SMU8EDS01A

### Better drying results via AutoDoor open technology and comfortable loading with extra 3rd rack for all your difficult to place items.

#### Capacity

- 14 place settings

#### Consumption rates

- 4 Star energy rating, 5 Star WELS water rating
- 11.5 litres water consumption per wash and 230 kwh energy consumption per year, based on the Eco AU 45 °C program with a cold water connection

#### Design

- Stainless steel interior tub
- SoftTouch buttons: Electronic soft-touch activated buttons
- Anti-fingerprint stainless steel finish

#### Wash Programs and Options

- 8 Programmes:
  - Eco Wash : Energy efficient wash & dry. Mixed loads & soil levels,
  - Auto Intensive: for pots & pans and baked-on food & grease.,
  - Auto wash: Wash & dry program for mixed loads and soil levels,
  - Auto Gentle: Automatic wash & dry program for delicate and lightly soiled dishes,
  - Quick 1h: quick wash & dry for mixed loads & soil levels,
  - Express wash: Wash only for lightly soiled dishes,
  - ExtraQuiet: extended quiet wash & dry program for mixed loads & soil levels,
  - Favourite: set or download your favourite combination
- Special options:
  - EfficientDry: Automatic door opening for improved drying and energy efficiency
  - HygienePlus : Extended increased temperature program for hygienic cleaning
  - SpeedPerfect : Reduce wash time even after cycle has started
- Machine Care: maintains your dishwasher's optimum performance and hygiene option
- Extra quiet programme with lower dB(A)

#### Performance

- Efficient Dry Auto Door Opening: improved drying result via automatic door opening at end of cycle
- Extra Clean Zone: Provides an even better cleaning result for items placed directly over the three rotating nozzles in the top basket
- DosageAssist™: Maximises the effectiveness of detergent tablets. The tablet is dropped into a specially engineered

tray and is completely dissolved. For superior cleaning performance and a quieter wash.

- EcoSilence Drive® quiet and energy-efficient brushless motor (BLDC)
  - BLDC Main Pump: Variable water & spray pressure to achieve optimum cleaning results
  - BLDC Drain Pump: Fast and extra quiet draining of water, no gargling sounds
- Aqua and load sensor for water and energy efficiency
- AutoBrilliance™: Automatic detergent and rinse aid sensor
- 5 Spray levels for maximum water contact and optimum wash results
- 3 stage self-cleaning filter system: design that helps reduce the need to wash the filter and prevents blockages

#### Flexibility

- Basket system with red coloured touchpoints provides total flexibility for all loading requirements
- Extra space 3rd rack for odd shaped items, bowls, mugs and large utensils
- Rackmatic height adjustable top basket
- Ball bearing on top basket for an easy glide
- Low friction wheels on bottom basket
- Rack Stopper to prevent derailing of bottom basket
- 6 foldable plate racks in top basket
- 8 foldable plate racks in bottom basket
- Moveable cutlery basket in lower basket
- Glass rack in lower basket for tall stemmed glasses
- Anti-slip protection strips in upper rack

#### Convenience

- Very quiet operation - 42 dB
- HomeConnect via WiFi Connectivity
- Time remaining display
- Wash program status on display panel
- Time delay start: Delay program start time by 1-24 hours to suit your schedule
- Large item spray head: For washing extra large items such as baking trays, Vapour barrier protection plate

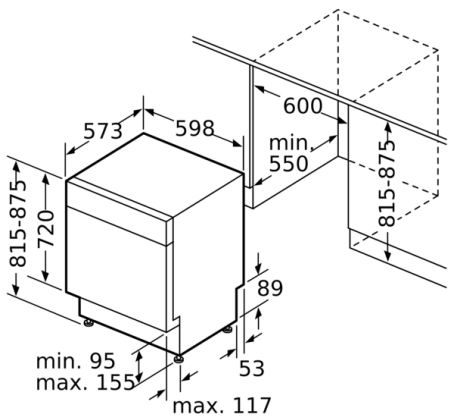
#### Safety

- AquaStop™ Plus: Water supply device with lifetime anti-flood protection
- Button child lock

#### Product Dimensions (H x W x D)

- Height 815-875 mm x Width 598 mm x Depth 573 mm

**Serie | 8, built-under dishwasher, 60 cm,  
Stainless steel  
SMU8EDS01A**



measurements in mm

